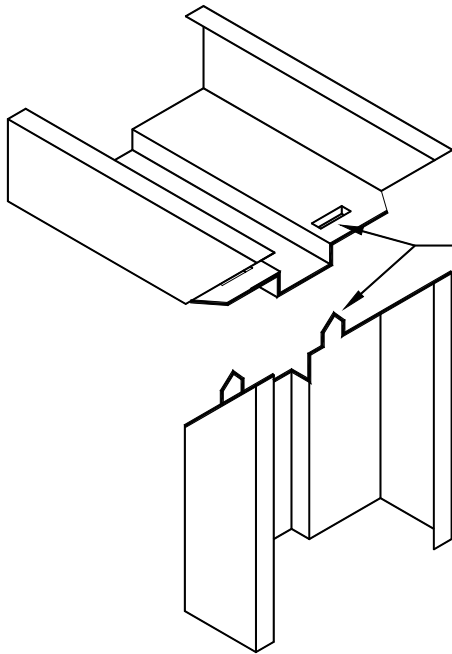
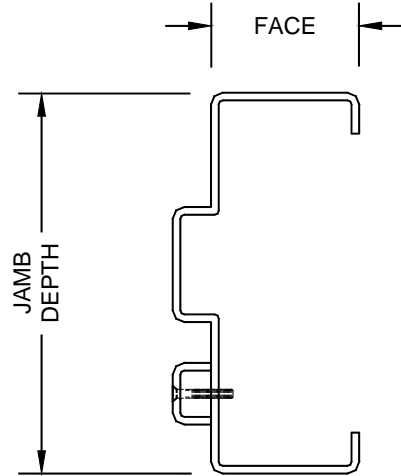
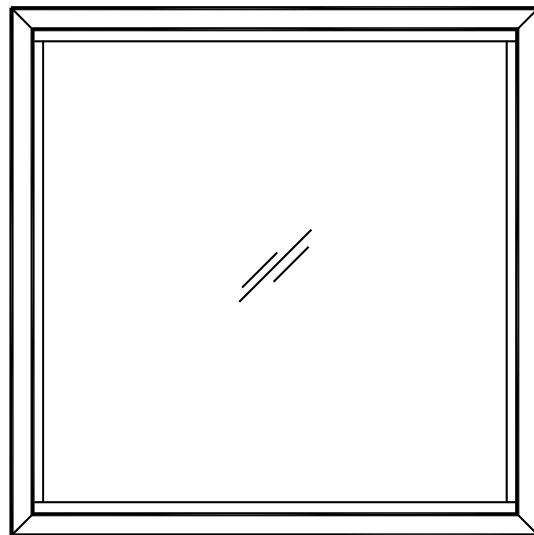


CONSTRUCTION: FULLY WELDED
GLASS STOP: 5/8 x 5/8 x 16 GA.
ANCHORS: AS REQUIRED
FINISH: RUST INHIBITIVE BAKED-
ON GREY PRIMER



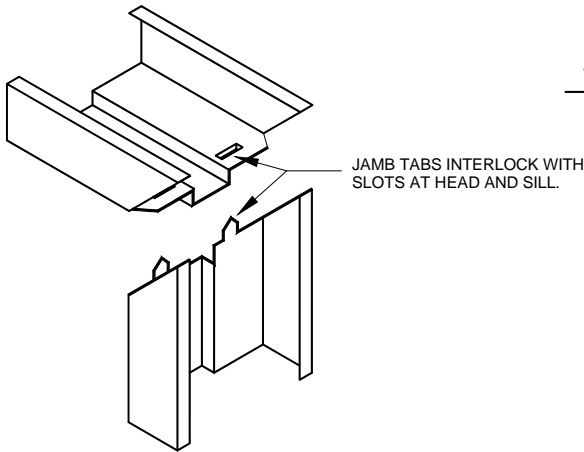
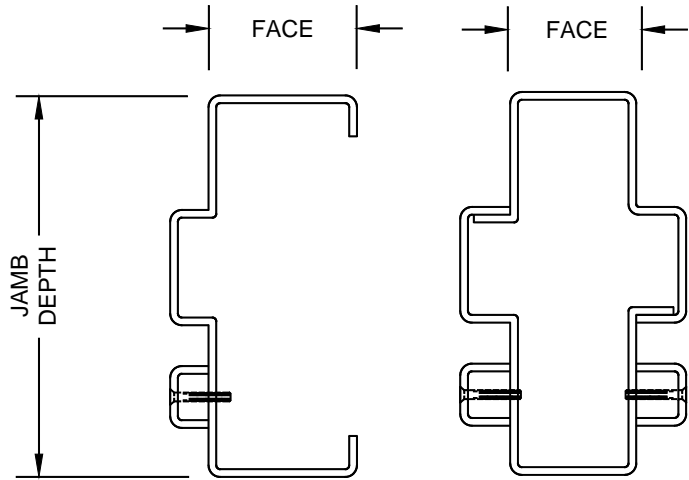
JAMB TABS INTERLOCK WITH
SLOTS AT HEAD AND SILL.

MACHINE-MITERED AND FULLY WELDED.
(CONTINUOUSLY WELDED AT FACE AND
RETURN. FACE GROUND SMOOTH AND
FINISHED.)



MULTI-LITE BORROWED LITE

CONSTRUCTION: FULLY WELDED
 GLASS STOP: 5/8 x 5/8 x 16 GA.
 ANCHORS: AS REQUIRED
 FINISH: RUST INHIBITIVE BAKED-ON GREY PRIMER



MACHINE-MITERED AND FULLY WELDED.
 (CONTINUOUSLY WELDED AT FACE AND RETURN. FACE GROUND SMOOTH AND FINISHED.)

