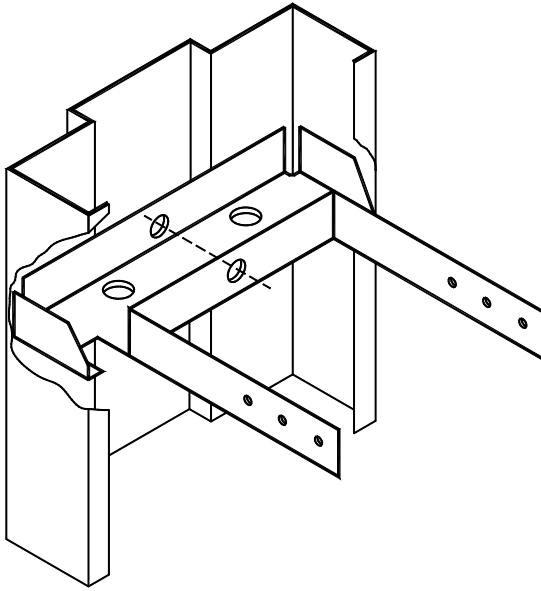


A9T "TWIST-IN" UNIVERSAL ANCHOR

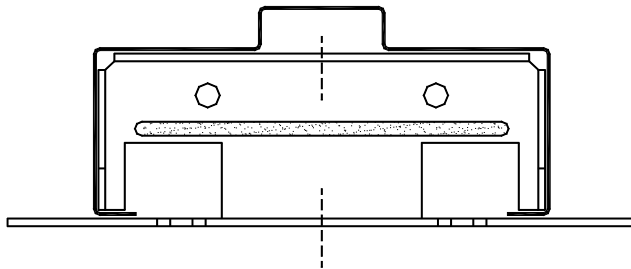
MATERIAL: GALVANNEAL
GAUGE: 18

MAY BE MANUFACTURED FOR CUSTOM
JAMB DEPTHS, FACES AND PROFILES.

STOCKED FOR THE FOLLOWING
JAMB DEPTHS - SHIPS LOOSE.



| JAMB DEPTH | FACE |
|------------|------|
| 4-3/4" | 2" |
| 5-3/4" | 2" |
| 6-1/4" | 2" |
| 6-3/4" | 2" |
| 7-1/4" | 2" |
| 7-3/4" | 2" |
| 8-1/4" | 2" |
| 8-3/4" | 2" |



ALTERNATE A9W ANCHOR

WELDED IN -
FOR CUSTOM PROFILES

