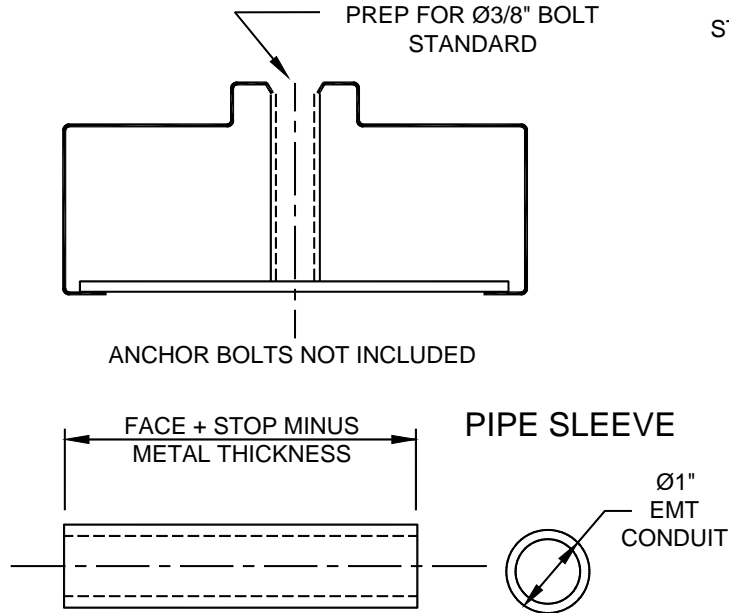
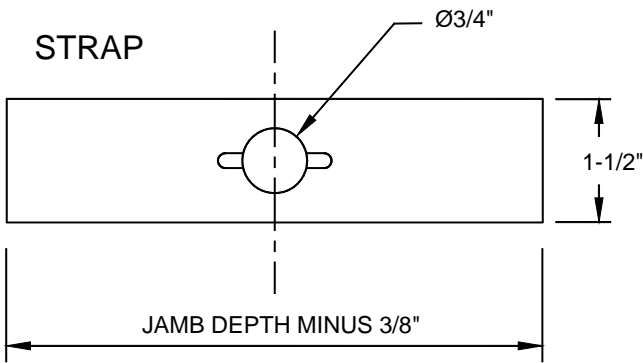
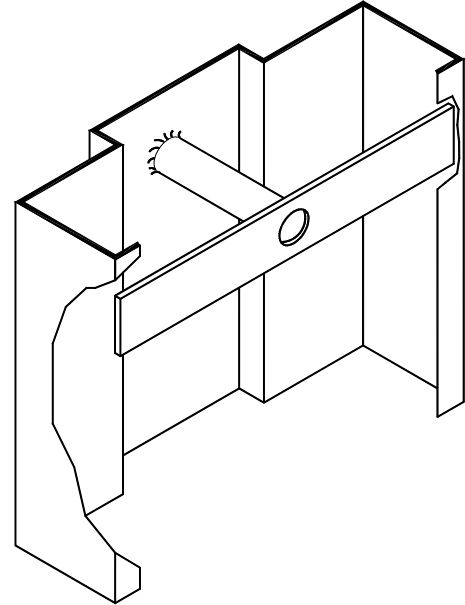


A7 PUNCH & DIMPLE MASONRY ANCHOR

GAUGE: 16
 TACK WELDED
 WHI AND UL APPROVED



STANDARD FOR JAMBS WITH CUSTOM FACES AND PROFILES



A7B ALTERNATE ANCHOR "BUTTERFLY ANCHOR"

16 GAUGE - 2 SPOTWELDS PER END
 STANDARD FOR JAMBS WITH 2" FACES
 AND UNDER 10" JAMB DEPTH

