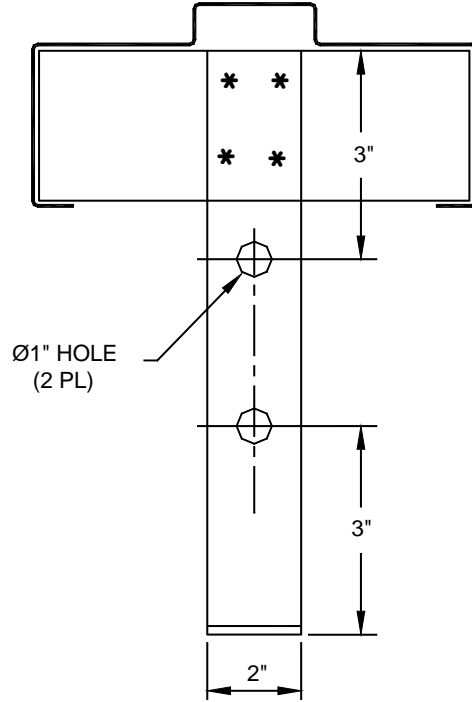
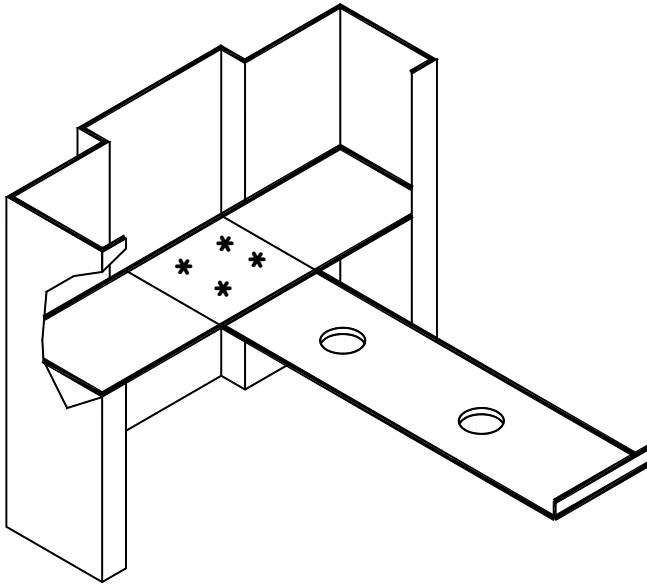


A5 MASONRY "TEE" ANCHOR

MATERIAL: GALVANNEAL
 GAUGE: 16
 WELDED: (4) SPOTWELDS
 THIS ANCHOR SHIPS LOOSE



ALTERNATE
 A6 ANCHOR
 3/16" DIA
 WIRE ANCHOR

