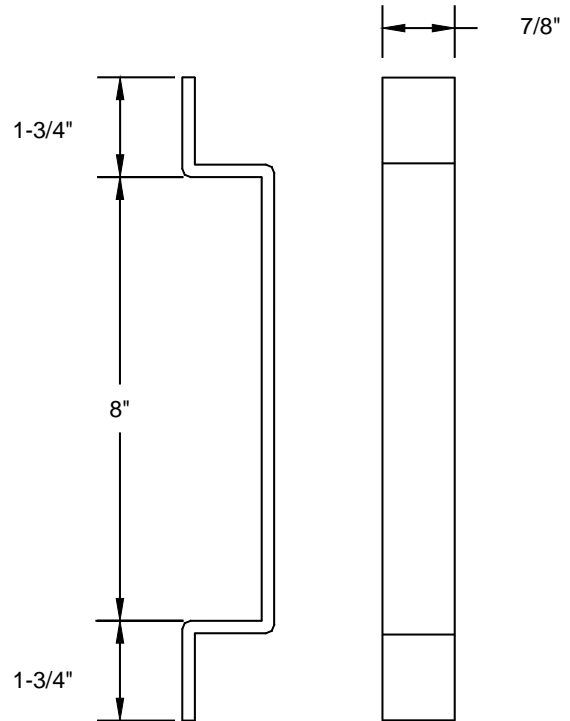
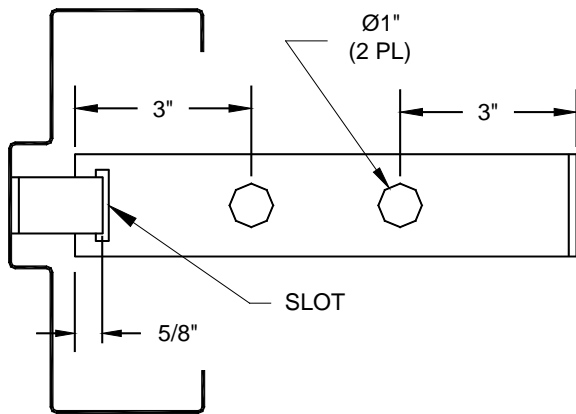
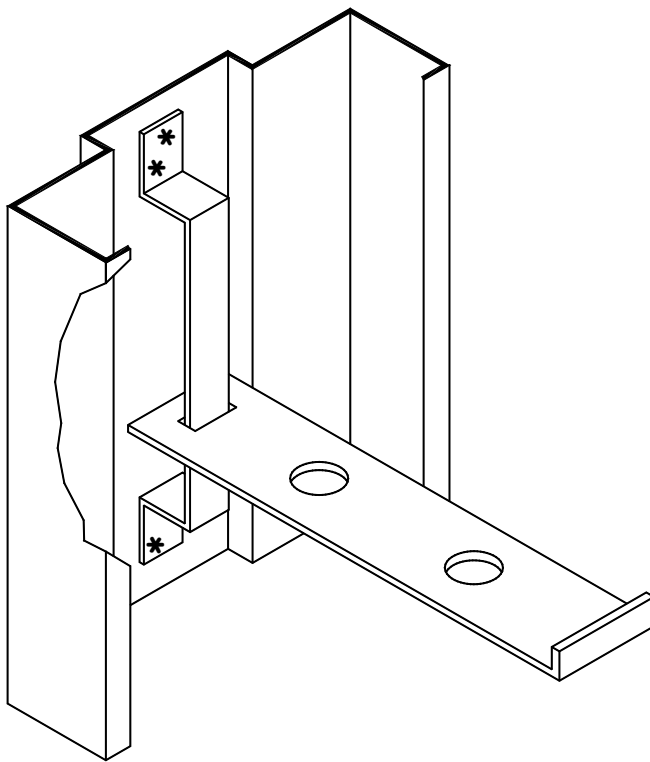


MATERIAL: GALVANNEAL  
 GAUGE: 16  
 TWO SPOT WELDS PER END



ADJUSTABLE HAT SECTION

